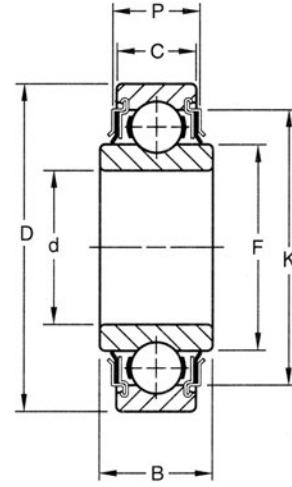




# AGRICULTURAL BEARINGS



## BALL BEARINGS Special Sizes



Type 1

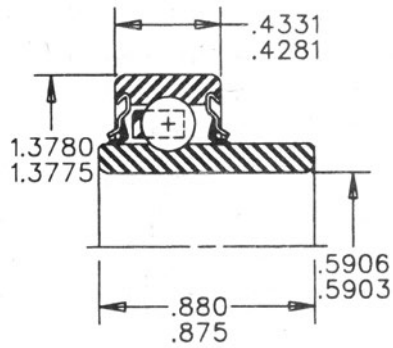
Unit Number	Type	d		D		B		C		W		r	Load ratings Lbf / N		Weight Lbs kg
		nominal In. mm	Tol. +0/ to minus In. mm	nominal In. mm	Tol. +0/ to minus In. mm	nominal In. mm	Tol. +0/ to minus In. mm	nominal In. mm	Tol. +0/ to minus In. mm	nominal In. mm	Tol. +0/ to minus In. mm		Dynamic	Static	
203KRR2	1	0.6400	0.0050	1.5748	0.0005	0.7200	0.0050	0.4720	0.0050	0.9620	0.0008	0.0240	2.16 9.60	889 3951	0.17 0.073
		16.260	0.127	40.000	0.013	18.288	0.127	12.000	0.127	24.435	0.020	0.610			
203KRR5	1	0.5150	0.0050	1.5748	0.0005	0.7200	0.0050	0.4720	0.0050	0.9620	0.0008	0.0240	2.16 9.60	889 3951	0.22 0.100
		13.081	0.127	40.000	0.013	18.288	0.127	12.000	0.127	24.435	0.020	0.610			



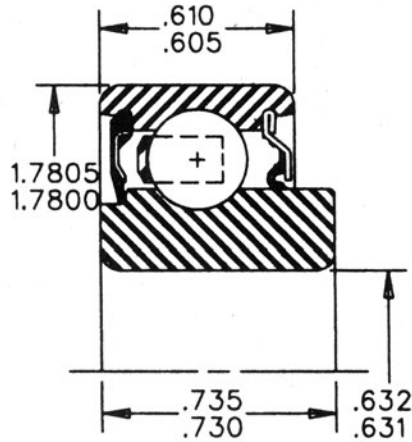
# AGRICULTURAL BEARINGS



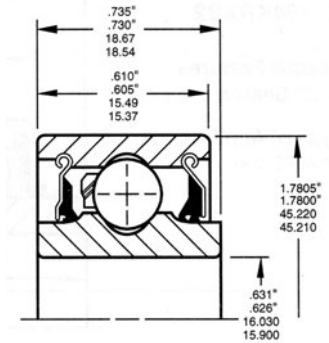
## BALL BEARINGS Special Sizes



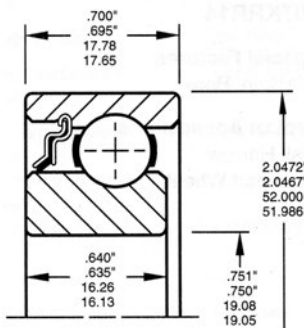
202RRE



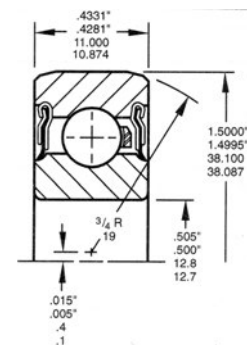
204-FREN



204RY2



205KR3



202NPP9

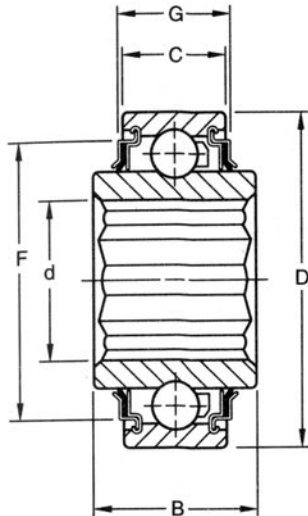
Farm Radial Specials	Bore		O.D.		Outer Ring Width		Inner Ring Width		Description of specialties
	In.	mm	In.	mm	In.	mm	In.	mm	
202NPP9	0.5050	12.827	1.5000	38.100	0.4331	11.000	0.4331	11.000	O.D. turned to 3/4 radius. Trash seals.
202RRE	0.5906	15.00	1.3780	35.000	0.4331	11.000	0.8800	22.352	Special bore, extended inner ring. Trash seals.
203JD	0.6693	17.000	1.5748	40.000	0.4724	12.000	0.5512	14.000	Inner ring extended one side. Trash seals.
Z9504-RST	0.7500	19.050	1.7805	45.225	0.6100	15.494	0.6100	15.494	Basic 6204-2RS with 3/4 bore and 0.6100 width. Trash seals.
Z9504-AB	0.7500	19.050	1.7805	45.225	0.6100	15.494	0.6100	15.494	Basic 6204-2RS with 3/4 bore and 0.6100 width. Rubber seals.
204KRD4	0.6300	16.000	1.8504	47.000	0.5512	14.000	0.6890	17.500	Special bore. Trash seals.
204RY2	0.6310	16.027	1.7805	45.225	0.6100	15.494	0.7350	18.669	Gothic arch race. Double lip trash seal extended side, single lip trash seal opposite.
205KR3	0.7510	19.075	2.0472	52.000	0.7000	17.780	0.6400	16.256	Special shroud seal one side only.
205PPB7	0.9375	23.813	2.0472	52.000	0.5910	15.000	1.3780	35.000	Beveled O.D. Triple lip seals.
204-FREN	0.6310	-	1.7805	-	-	-	0.7350	-	Special 204 with Wide I.R., double Sealed.



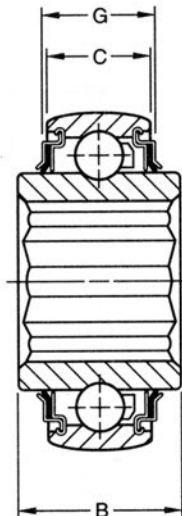
# AGRICULTURAL BEARINGS



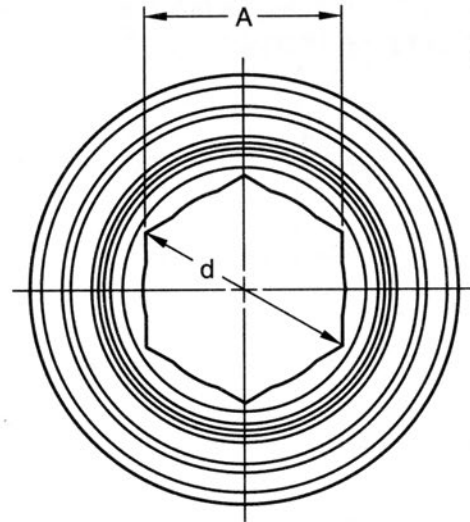
## BALL BEARINGS Hex Bore Series



Type 1



Type 2



KML Part Number	Type	Hex Shaft Size	Hex Bore			Outside Diameter		Width		Static Load Rating Cor	Dynamic Load Rating Cr	Mass
			'A' across flats	tolerance +0 to minus shown below	'd' across corners min.	'D' dimension / tolerance		'C' Outer Ring	'D' Inner Ring			
			inch	Inch / mm	Inch / mm	Inch / mm	Inch / mm	Inch / mm	Inch / mm			
206KRR6	1	1	1.001 25.43	0.005 0.13	1.152 29.26	2.4409 62	0.0005 0.013	0.630 16	0.945 24	2280 10000	4800 21600	0.75 0.34
206KRRB6	2	1	1.001 25.43	0.005 0.13	1.152 29.26	2.4409 62	0.0005 0.013	0.630 16	0.945 24	2280 10000	4800 21600	0.75 0.34